



**RPE Srl**  
**Leader in Fluid Management Control**

**100%**  
**MADE IN ITALY**

# **AXIAL VALVE RPE**

[www.rpesrl.it](http://www.rpesrl.it)



100%  
MADE IN ITALY

# AXIAL VALVE RPE CHARACTERISTICS

2



**2/2 WAY DN 8 - UNIDIRECTIONAL**

**CONTROL: NORMALLY CLOSED - LATCHING**

**WORKING PRESSURE: 0,5-10BAR (7.25-145PSI)**

**FOOD GRADE APPROVED**

**FLUID TEMPERATURE: TM 90 °C (194°F)**



100%  
MADE IN ITALY

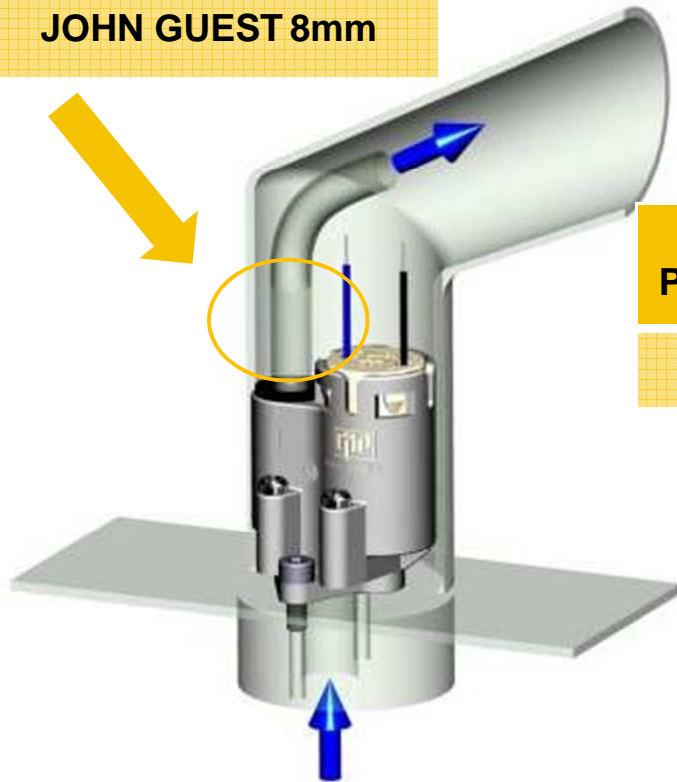
# AXIAL VALVE RPE

3

## EASY INSTALLATION

**OUTLET**

**QUICK COUPLING  
PUSH FIT  
JOHN GUEST 8mm**



**MAX  
PRESSURE**

**10 Bar**

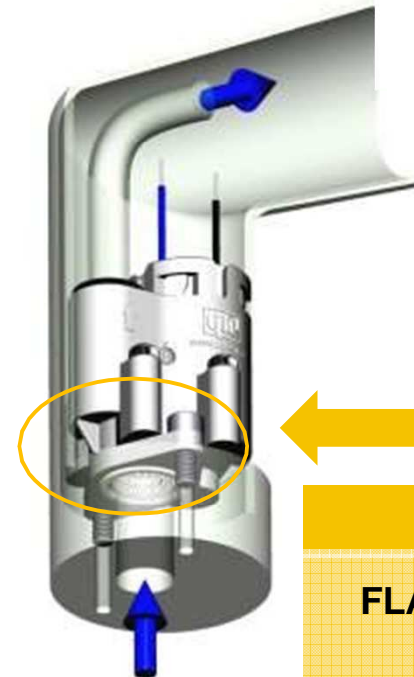
**Kv  
VALUE**

**13,58 L/min**



**INLET**

**FLANGE AT BASE  
2 SCREWS**

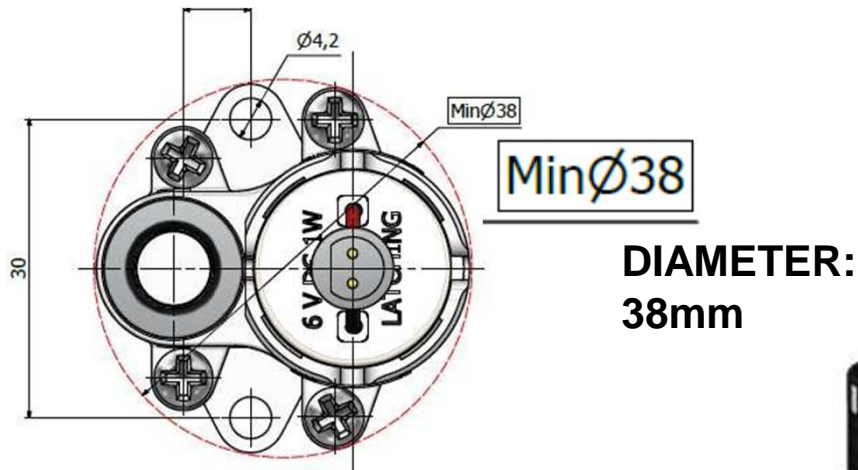




# AXIAL VALVE RPE

4

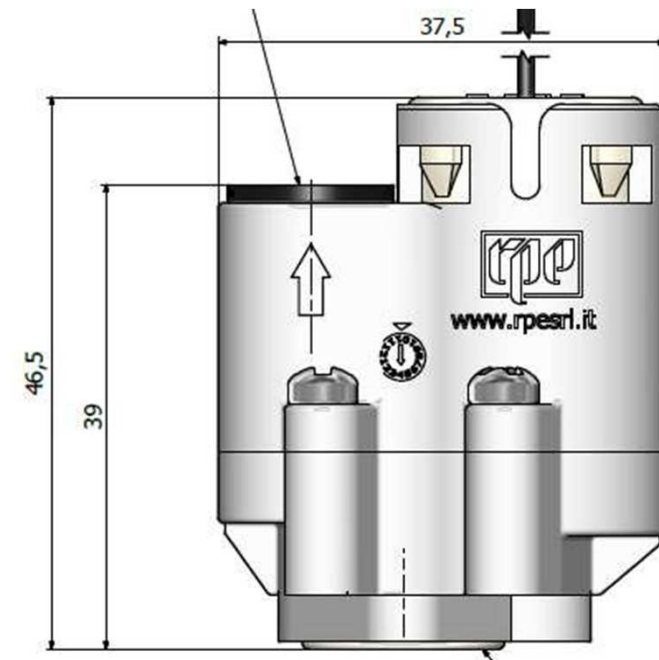
## COMPACT AND RELIABLE



**STANDARD  
INLET SCREEN FILTER 50  
MESH**



**DIMENSIONS:  
46,5mm**





100%  
MADE IN ITALY



# AXIAL VALVE RPE

5

## ELECTRICAL FEATURES



MODELS	POWER (20° C)	CONSUMPTION (20° C)	RESPONSE TIME
3V LATCHING	1 W	330 mA	15ms
4,5V LATCHING	1 W	225 mA	15ms
6V LATCHING	1 W	165 mA	15ms
12V DC NC	1,6 W	130 mA	15ms
24V DC NC	1,6 W	130 mA	15ms

## ELECTRICAL CONNECTIONS

### STANDARD

FLYING LEAD  
CABLES  
LENGHT: 200mm

### OPTION

MALE OR FEMALE  
IP 68 CONNECTORS  
CABLE LENGHT : 100mm





100%  
MADE IN ITALY



# AXIAL VALVE RPE

6

## FOOD GRADE APPROVED



KTW  
W270





100%  
MADE IN ITALY



# AXIAL VALVE RPE

7





# NOTHING GREAT HAS EVER BEEN DONE WITHOUT PASSION

8



Contatti: [customer care@rpesrl.it](mailto:customer care@rpesrl.it) - [www.rpesrl.it](http://www.rpesrl.it) - 